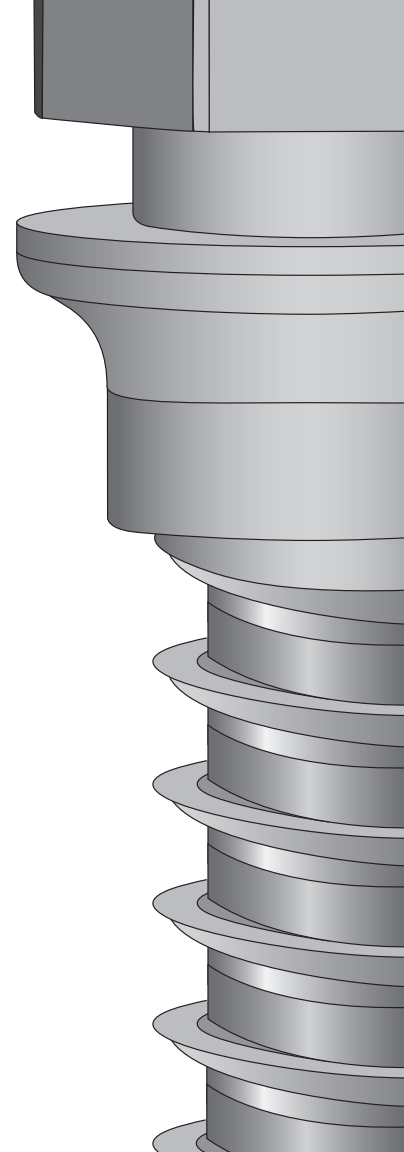


THE aarhus SYSTEM™

THE Mini-Screw System for Your Practice

"Lack of equilibrium is most likely the cause of the majority of adverse effects seen in orthodontics. Forces delivered by any orthodontic appliance are equal and opposite to the active and the reactive unit... Overcoming this obstacle is clearly the most valuable contribution that skeletal anchorage offers orthodontics."

- Prof. Birte Melsen, Keynote Address
The Thirty-Fourth Moyers Symposium, 2007



Through Hole Screw



	Overall Length A	Tissue Collar Length B	Thread Length C	Thread Diameter D
68.99.20A	9.8mm	1.5mm	6.0mm	1.5mm
68.99.21A	10.8mm	2.5mm	6.0mm	1.5mm
68.99.22A	11.8mm	1.5mm	8.0mm	1.5mm
68.99.23A	12.8mm	2.5mm	8.0mm	1.5mm

Button Head Screw



	Overall Length A	Tissue Collar Length B	Thread Length C	Thread Diameter D
68.99.24A	9.6mm	1.5mm	6.0mm	1.5mm
68.99.25A	10.6mm	2.5mm	6.0mm	1.5mm
68.99.26A	11.6mm	1.5mm	8.0mm	1.5mm
68.99.27A	12.6mm	2.5mm	8.0mm	1.5mm

Bracket Head Screw

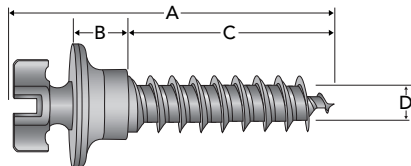


	Overall Length A	Tissue Collar Length B	Thread Length C	Thread Diameter D
68.99.28A	9.2mm	1.5mm	6.0mm	1.5mm
68.99.29A	10.2mm	2.5mm	6.0mm	1.5mm
68.99.30A	11.2mm	1.5mm	8.0mm	1.5mm
68.99.31A	12.2mm	2.5mm	8.0mm	1.5mm

Bracket Head Screw



	Overall Length A	Tissue Collar Length B	Thread Length C	Thread Diameter D
68.99.32A	9.6mm	1.5mm	6.4mm	2.0mm
68.99.33A	11.6mm	1.5mm	8.4mm	2.0mm
68.99.34A	12.3mm	1.0mm	9.6mm	1.3mm



*All Mini-screws packaged in five-pack magazines
 **All product included on this page not sold in Canada

Sterilization Tray 68.77.78



Starter Kit: 68.77.97A

- 1 Sterilization Tray (68.77.78)
- 1 Screwdriver Handle (75.23.50)
- 1 Screwdriver Blade (75.23.39)
- 1 Screw Release Sleeve (907.50.07)
- 10 Screws - 2 Five-pack Magazines of Choice

Screwdriver Blade 75.23.39



Extended Screwdriver Blade 75.23.91



Screw Release Sleeve 907.50.07



Extended Screw Release Sleeve 907.50.08



Twist Drills

- 68.92.91 Twist Drill 0.9 x 4 x 22mm
- 68.92.90 Twist Drill 0.9 x 4 x 28mm

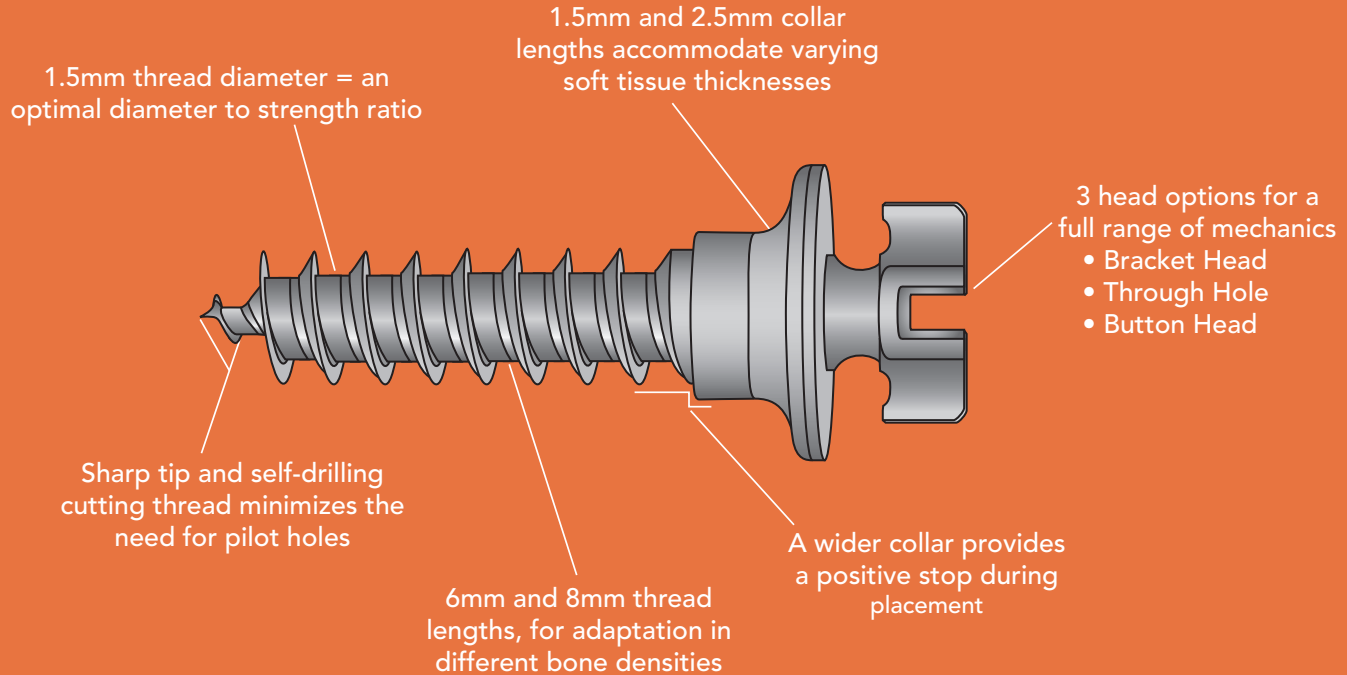


Screwdriver Handle Options 75.23.78A & 75.23.50



The Aarhus System Key Features and Benefits

Ti6AL4V Surgical Grade Titanium Alloy that is biocompatible, high strength and corrosion resistant.



THE aarhus SYSTEM™

The Aarhus System Mini-Implant Screws

Pairing premium materials with optimal sizing, Aarhus mini-screws yield a perfect balance of strength and working diameter for maximum clinical application. The material, Ti6AL4V, is a high strength titanium alloy noted for its biocompatibility and corrosion resistance.

A 1.5mm* thread diameter permits placement without sacrificing strength.

All standard screws (1.5mm) in the system are available in either 6mm or 8mm thread lengths. In addition, one can select from two soft tissue collar lengths for Buccal or Lingual applications.

Whatever biomechanics are required, Aarhus has a screw head design to meet all of your skeletal anchorage needs:



Bracket Head Screws are slotted to be used as an unconventional bracket and accept sequential wires and levers up to .022in x .028in. (Full 3D Control)



Button Head Screws are ideal for elastic chain or NiTi spring applications. (1D Control)



Through Hole Head Screws accept wires, hooks, lever arms, etc., up to .030in diameter. (2D Control)

* Additional diameter (1.3mm and 2.0mm) and thread length screws are available for application in special circumstances.

The Aarhus System Driver

Unique to the Aarhus System, the driver tip incorporates a threaded locking-sleeve for engaging and pick-up of screws. By simply advancing the sleeve to the end of the driver tip, screws are securely captured and removed from their cassette. Once secured, screws can then be carried to the placement site and driven without worry of "screw wobble" which is a common cause failure to achieve primary stability.

Equally important, the Aarhus driver tip releases screws smoothly and easily after placement. This feature minimizes any disruption of the bone/thread interface when disengaging the screw from the driver tip.

Driver tips and sleeves are available in two lengths: 1. A Standard length for most routine placements. 2. An Extended length (40% longer than Standard length) for greater access to difficult to reach regions of the mouth, especially the palate.



The Aarhus System Sterilization Tray

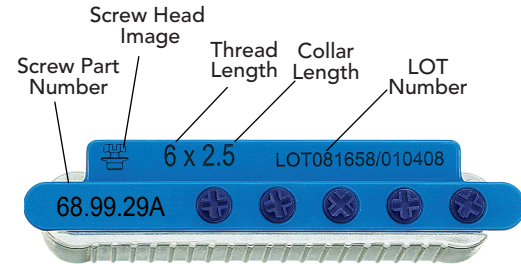
The Aarhus System Sterilization Tray features a compact, light-weight, and roomy design for efficient chairside delivery. The sliding cover plate locks to hold instruments securely in place and is fully vented for superior steam circulation and drainage. Built-in screw cassette slots and multiple wells have been thoughtfully laid out for all instrumentation needs. The handle compartment accepts either the slimline or large grip screwdriver handle. Solid construction of the Aarhus System Sterilization Tray will provide years of trouble-free service.



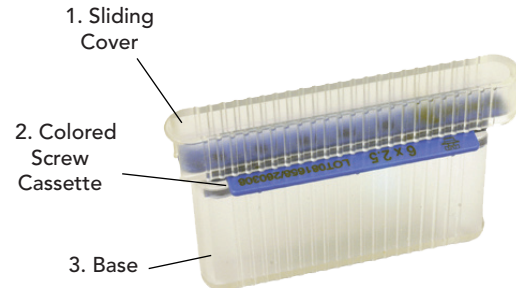
The Aarhus System Magazine

Aarhus screw magazines contain five screws of a single type

- Convenient Storage
- Secure, Safe Handling
- Hygienic
- Simplifies Inventory Control
- Instant Identification
- Positive Traceability
- Autoclavable
- Direct Screw Pickup
- Color Identifies Diameter
- Convenient Office to Office Transport



Magazine Packs are made up of 3 Autoclavable Components





Dr. Birte Melsen

The name behind The Aarhus System is one of the most recognized in orthodontics today. Dr. Birte Melsen has held the title of Professor and Chairman of the Department of Orthodontics at the Royal College, Aarhus, Denmark since 1975 – an over 40 year tenure. She is the author of more than 300 published scientific articles covering a broad range of topics, holds countless honors for her contributions to orthodontics, and is recognized by her peers as a premier researcher and academic.

Dr. Melsen's interest and work in Skeletal Anchorage began in the 1970's with Jens Kølsten Pedersen. In 1996, after more than 20 years of investigation, the Aarhus Mini-Implant System was introduced. Today we see the culmination of Dr. Birte Melsen's continuing research, development, and over 45 years of dedication to this field.

Distributed By:



3524 Washington Avenue
Sheboygan, Wisconsin, 53081 USA

Phone: +1 920 457 5051
Email: cs@americanortho.com
Web: americanortho.com



©2019 American Orthodontics Corporation
All Rights Reserved

FOLLOW US ON

