



MASTER™  
SERIES

**AO**  
AMERICAN  
ORTHODONTICS

# Time Tested Treatment

Experience Master Series - the versatile, metal twin system that orthodontists around the world have trusted for more than 25 years. Each bracket's technologically advanced, visually intuitive design adapts seamlessly with your clinical expertise and allows you to treat each patient the way you see fit. Master Series' patented design dramatically increases bonding precision – leading to exceptional results with fewer wire bends.

# The Only Bracket System Combining Both Diagonal Torque™ and Diagonal Angulation™

## Diagonal Torque

Unique, patented Diagonal Torque technology sets Master Series apart from other twin systems. That's because torque in other systems is machined into the face or wedged in the base. Master Series' Diagonal Torque keeps the center of the slot above the center of the base. This delivers more predictable expression of torque and allows for the lowest profile possible, helping reduce occlusal interference.

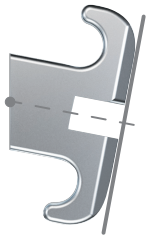
## Diagonal Angulation

Precise bracket positioning during bonding is easy with Master Series' patented Diagonal Angulation technology. Instead of being milled into the face of the bracket, angulation is designed into each Master Series bracket and pad. All the horizontal visual cues run parallel to the occlusal plane, while vertical visual cues, including a prominent scribe line, run parallel to the long axis of the tooth, making it simple to accurately place brackets.



### American Orthodontics Diagonal Torque

Center of slot over center  
of base with low profile.



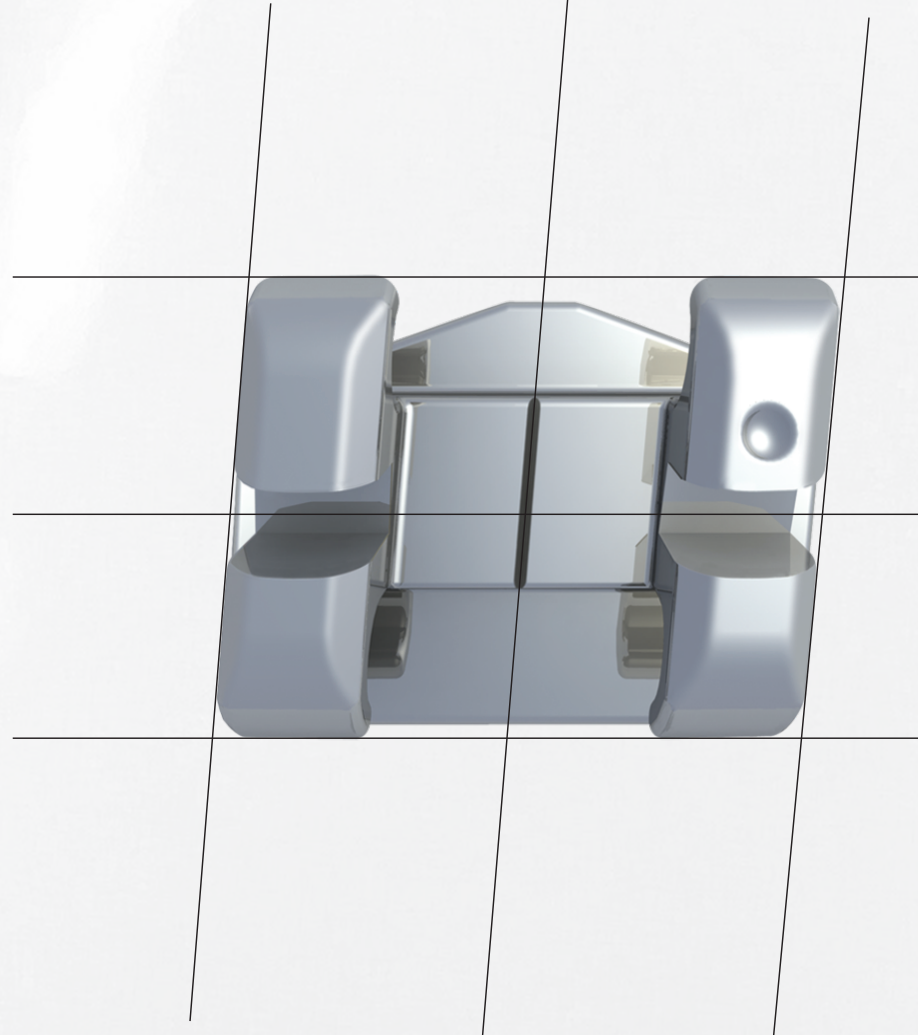
### Competitor Torque in Base

Center of slot over center  
of base, but higher profile,  
increasing the chance of  
occlusal interference.



### Competitor Torque in Slot

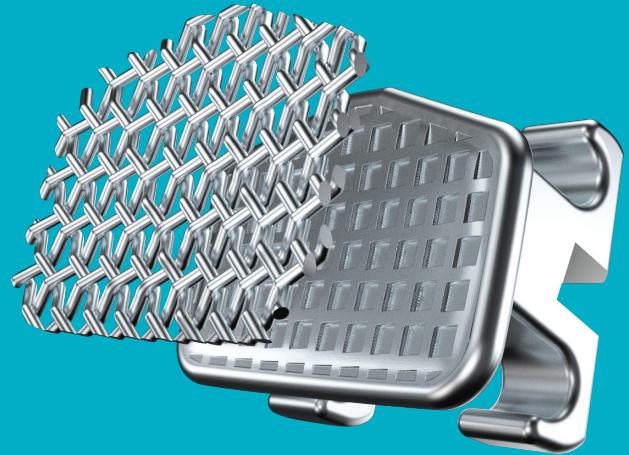
Center of slot not over  
center of base results in  
inconsistent distribution  
of force.



# MASTER<sup>™</sup> SERIES

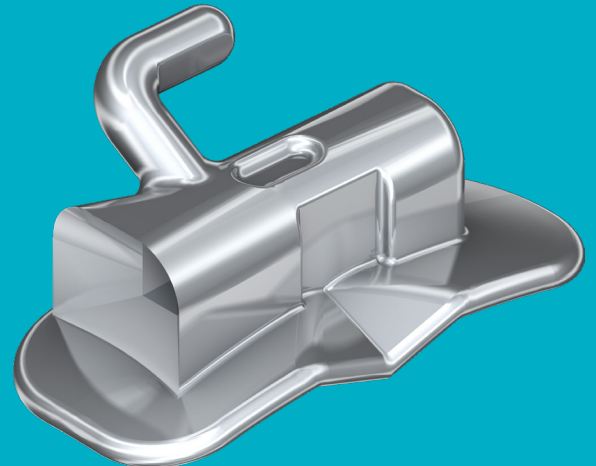
## Proven Bond Strength

When you place Master Series brackets on your patients' teeth, they stay on. The patented Maximum Retention<sup>™</sup> pads provide dual mechanical retention by layering 80 gauge mesh over an etched foil base. The pad's photochemically etched pockets increase the pad surface area, creating a greater mechanical lock.



## Fully Synchronized

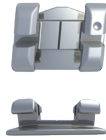
Master Series takes into account the importance of going beyond 5-5, and incorporates 6's and 7's into treatment. Coordinated molar tubes, varied profile heights, raised pad options, and offset bicuspids pads contribute to the entire arch and help deliver a more comfortable patient experience.



**LP**  
LOW PROFILE

**M** MINI  
MASTER

**MASTER**  
SERIES



Diagonal torque	•	•	•
Diagonal angulation	•	•	•
Maximum Retention™ bonding pads	•	•	•
Standard non-offset bicuspid pads	•	•	•
True offset bicuspid pads	•	•	•
Optional hooks available	•	•	•
Individual color coding	•	•	•
Coordinated molar tubes	•	•	•
Raised pad bicuspids	•	•	
Bicuspid pad options	•	•	
Vertical slot system	•	•	
Bidimensional vertical slot system	•	•	
Single wing Lang brackets	•	•	
Iconix® Aesthetic bracket option	•	•	
Forever Gold 24K cosmetic bracket option		•	
Asian specific prescription - SEBA		•	
Latin Hispanic specific prescription - ProTorque		•	
IBD (Interbracket Distance) system			•



3524 Washington Avenue  
Sheboygan, Wisconsin, 53081 USA

Phone: +1 920 457 5051  
Email: [cs@americanortho.com](mailto:cs@americanortho.com)  
Web: [americanortho.com](http://americanortho.com)



©2020 American Orthodontics Corporation  
All Rights Reserved

FOLLOW US ON

